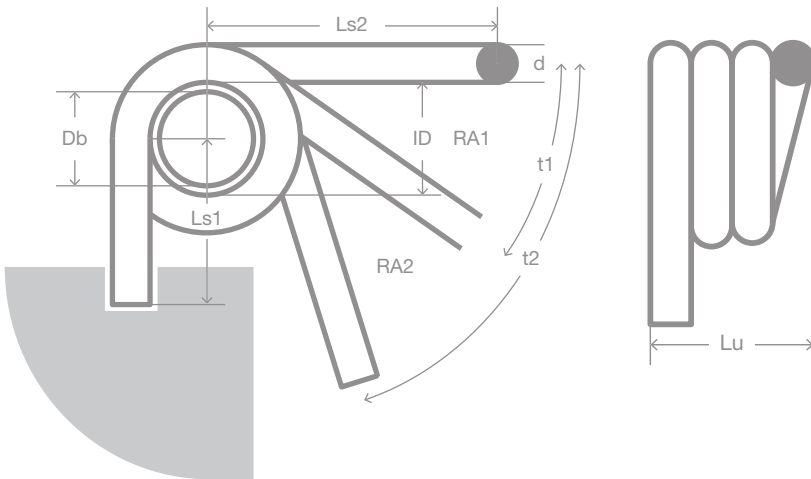




Torsion spring



Torsion spring

d = wire thickness

ID = inner coil diameter

Ls = side length

Db = bore diameter

RA = rotation angle

t = torque

Lu = unloaded object length

coil direction left or right