

Enquiry / Order

Address _____

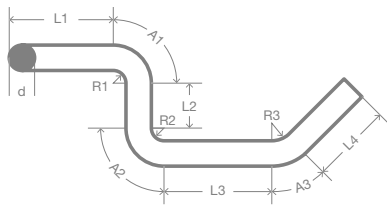
Telephone _____

Delivery date _____

Date _____

Signature _____

BENT WIRE PARTS

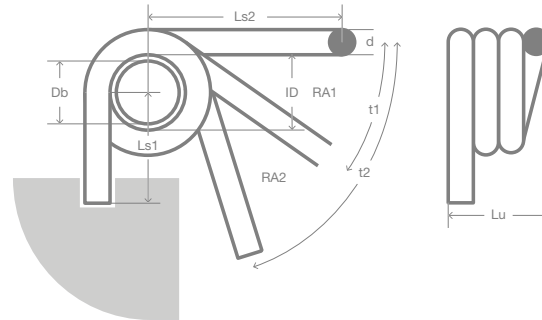


Spring steel / Stainless

Wire thickness d mm
Length L1 mm L2 mm
L3 mm L4 mm
Angle A1 ° A2 °
A3 °
Radius R1 mm R2 mm
R3 mm

Quantity _____

TORSION SPRING

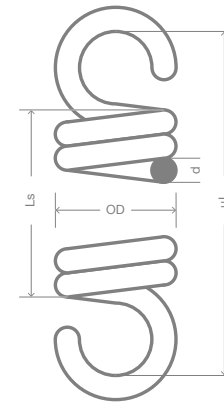


Spring steel / Stainless

Wire thickness d mm
Inner coil diameter ID mm
Side length Ls1 mm Ls2 mm
Rotation angle / torque RA1 ° t1 Nmm
Drehwinkel / Drehmoment RA2 ° t2 Nmm
Unloaded object length Lu mm
Number of coils _____ n
Coil direction left or right _____

Quantity _____

TENSION SPRINGS

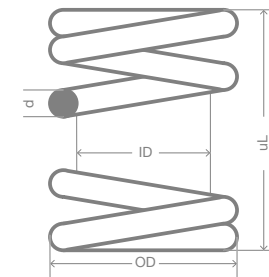


Spring steel / Stainless

Wire thickness d mm
Outer diameter OD mm
Spiral length Ls mm
Unloaded length uL mm
(Eyelet to inner eyelet edge)

Quantity _____

COMPRESSION SPRINGS



Spring steel / Stainless

Wire thickness d mm
Outer diameter OD mm
Inner diameter ID mm
Unloaded length uL mm
Total coils _____ Nt

Quantity _____